



ENVIRO
ABRASIVES

ENVIRONMENTAL ABRASIVES

Sandblasting Equipment, Media, Sales & Service

www.enviroabrasives.com

(208) 947-1351 | Boise, Idaho

Pulsar



Packed With Features

- *Filter cartridge is automatically cleaned each time the pedal is operated.*
- *Pull-through exhaust fan reduces wear on impeller blades.*
- *Unique Air Logic System maximizes air flow to the blast nozzle.*
- *Door safety interlocks interrupt blasting if either door is opened.*
- *Tough, full-length gloves protect the operator's hands and arms.*
- *Large window and top-mounted light allow clear view of work.*
- *Blow-off gun clears away dust and media after blasting.*
- *Rubberized wear-plate prolongs reclaimer life.*

Simple

Each Pulsar® component has been engineered to work in balance with the whole system. Capacities for the sump, reclaimer, dust collector, and blast system are perfectly matched.

Because the components are housed in one cabinet, routing of hoses and tubes is simple and direct. The result is a cabinet that's easy to install, easy to use, and easy to maintain.

Tough

We build Pulsar® cabinets to stand up to years of heavy industrial use. The blast enclosure and support structure are made from 14-gauge and heavier steel. Formed-in-place stress members prevent cabinet warping and buckling.

Quiet

The double-wall, sound-insulated doors and the door frame, form an edge baffle and positive seal to prevent the escape of dust and abrasive.



The top-mounted light module features an abrasive-resistant Lexan® cover and twin fluorescent bulbs.



The tilt-out frame makes changing the tempered-glass window a snap.



An independently adjustable pulse regulator maximizes cartridge-cleaning effectiveness and minimizes noise.



Lift-off hinges let you remove and replace the door in seconds, without tools.

Accessible

Side access allows easy adjustment and maintenance. Emptying the dust drum or replacing the filter cartridge takes just minutes. Side access puts the reclaimer door, the metering valve, the moisture separator, and the pulse pressure regulator with gauge at your fingertips. On the Pulsar® pressure cabinets, you can reach the pressure vessel's hand hole and metering valve from the side.

Smart

Pulsar® controls are conveniently located within the operator's reach. The operator can easily adjust air pressure while blasting to suit the application.

The cabinet-top-mounted light module creates full-view, uniform lighting inside the cabinet, and is easily serviced.

Tilt-out window allows tool-free window replacement in minutes.

Positive latches pull the doors closed tight.

Lift-off hinges allow you to swap the standard door for a pass-through door, a vestibule door, or a door fitted with our standard tumble basket. (All are available through Clemco's Options Plus program)



The Heart of the Pulsar® System

Self-Cleaning

Each time the pedal is pressed or released, a pulse of compressed air knocks caked-on dust off the cartridge and into the dust drum. The dust collector cartridge traps more than 99.7 percent of the dust particles down to 0.5 micron. If cabinet visibility decreases, a few press-and-release cycles quickly clean the filter cartridge.

The long-lasting cartridge can be replaced in minutes, reducing downtime.

Pulsar's pulse valve has its own pressure regulator and gauge.

Versatile

All Pulsars come equipped to handle most common recycleable blast media, from glass bead to coarse aluminum oxide. To convey heavy steel media more efficiently, an optional steel media kit is available for use with Pulsar VI and III-P and VI-P models.

The kit includes reduced-ID recovery hoses to increase the media velocity, allowing more thorough separation of dust and debris in the reclaimer.

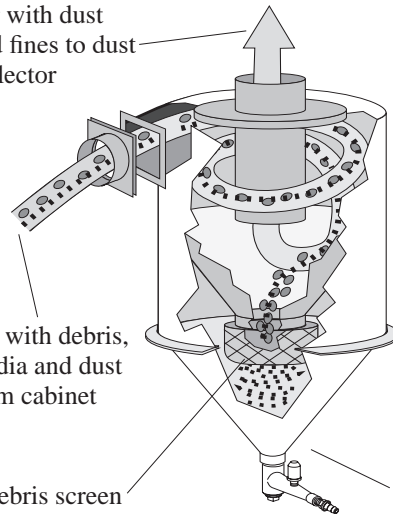
Another feature exclusive to Pulsar pressure cabinets is a special metering valve with urethane-coated metering plate that lets the valve handle super-fine media.

Air with dust and fines to dust collector

Air with debris, media and dust from cabinet

Debris screen

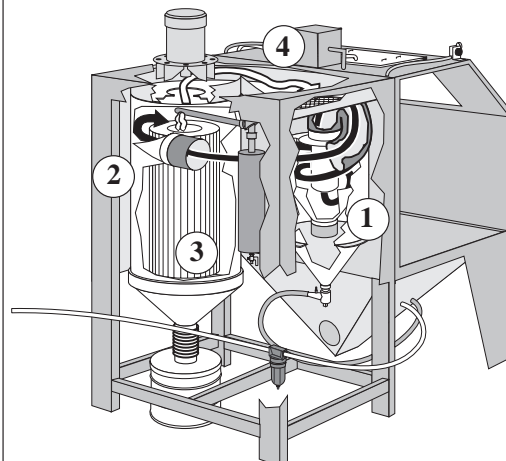
Media storage hopper



The heart of every Pulsar® cabinet is the proven ZERO reclaimer -- which efficiently separates dust and debris from reusable media. The reclaimer incorporates a wear-plate which protects the inlet from damage by debris. The large basket beneath the reclaimer screens out oversize material that can clog the blast system. A fully adjustable metering system delivers as much or as little media as needed.

A Simple Balanced System

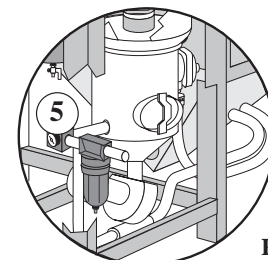
Reclaimer (1) separates reusable media from dust and broken media. Dirty air flows into dust collector (2), passes through the replaceable cartridge (3), which traps the contaminants. Clean air is exhausted into the enclosure above the reclaimer, (4).



Pulsar® pressure cabinets

Suction

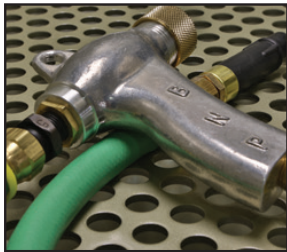
In the pressure system a 1 cu ft blast machine (5) replaces the media storage hopper. The blast machine is automatically refilled from the reclaimer (1) each time the foot pedal is released.



Pressure

Pulsar® III & Pulsar® VI Suction Cabinets

- *Continuous reclamation and high-production blasting.*
- *Simple media metering system allows precise adjustment.*
- *Exclusive BNP Blast Gun sets the industry standard for performance and durability.*
- *Number 5 Gun and ceramic nozzle standard.*
- *Easy access to reclaimer door for adding fresh media, and to dust drum for dust removal.*
- *Efficient 1/2-inch air filter traps oil and water that can ruin blast media and contaminate cleaned parts.*
- *Pulsar® VI features flanged mounting on reclaimer that can accept suction or pressure blast system.*



BNP Gun

The ZERO BNP gun sets the industry's standard for delivering the most cleaning power. The comfortable pistol-grip design reduces operator fatigue and increases productivity during prolonged blasting.

Optional tungsten carbide and boron carbide nozzles easily handle aggressive media.

Convertible

Pulsar® cabinets are built with flexibility in mind. When your production needs change, your Pulsar® VI can be converted from suction blast to pressure blast.



Pulsar® III-PE

Ergonomic configuration allows sit-down operation; available in Pulsar III and VI models.

Applications

- Remove rust, millscale, heat scale, and carbon build-up
- Strip paint, powder coating, plating and anodizing
- Eliminate burrs, parting lines, and flashings
- Extract residual sand from castings
- Beautify steel, stainless steel, aluminum, brass and other metals
- Etch artwork and lettering into glass, stone, plastics and metal
- Clean residue and release agents from molds



The Pulsar® suction blast cabinets combine blast, recovery, reclaim and dust collection in an efficient, compact enclosure.

Pulsar® VI-P Pressure Cabinet

- *1-cu-ft blast machine (with automatic refill from reclaimer) holds enough media to blast continuously for up to 30 minutes.*
- *ASME-code blast machine rated for 125 psi with large hand hole for internal maintenance and 35-degree conical bottom for smooth media flow.*
- *Standard Number 3 tungsten carbide nozzle delivers hundreds of hours of efficient blasting with most abrasives. Pulsar® VI-P accepts nozzles up to Number 5.*
- *Efficient 1-inch air filter delivers high-volume air and traps oil and water that can ruin blast media and contaminate cleaned parts.*
- *Pulsar VI-P features flanged mounting on reclaimer to accept suction or pressure blast system.*

Fast Cleaning

The Pulsar® VI-P incorporates a 1 cubic foot capacity blast machine in place of the suction blast system found on the Pulsar® VI.

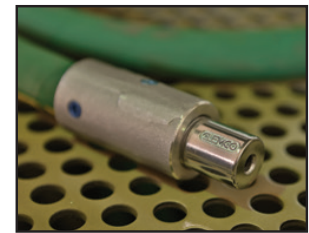
Pressure blasting cleans at rates three to four times faster than suction blasting and results in a better profile for bonding coatings or for stress relief on metals.

Convertible

Pulsar® cabinets are built with flexibility in mind. When your production needs change, your Pulsar® VI-P can be converted from pressure blast to suction blast.



Pulsar® VI-P



Tungsten Carbide Nozzle

A Number 3 tungsten carbide blast nozzle comes standard on the Pulsar® VI-P.

An optional boron carbide nozzle handles super-aggressive abrasives.



Flange-mounted blast machine on Pulsar® VI-P

S P E C I F I C A T I O N S

COMPLETE SYSTEM

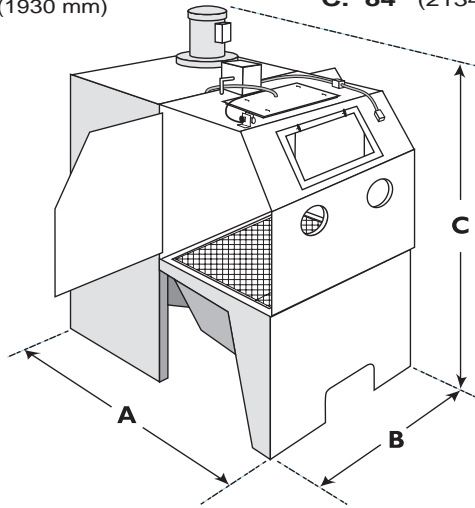
Actual space requirements depend on desired work flow. Allow additional work space for operator and maintenance.

Pulsar® III

- A. 62" (1575 mm)
- B. 38" (965 mm)
- C. 76" (1930 mm)

Pulsar® VI

- A. 71" (1803 mm)
- B. 52" (1321 mm)
- C. 84" (2134 mm)



CABINET

Working Chamber Size

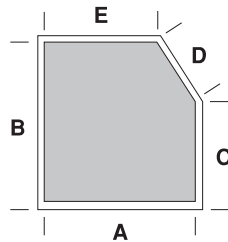
- Pulsar® III** 36" wide (914 mm)
35" deep (889 mm)
37" high (940 mm)

- Pulsar® VI** 50" wide (1270 mm)
39" deep (991 mm)
43" high (1092 mm)

Window Size (safety glass)

- 19.5" wide (495 mm)
12.5" high (318 mm)

Door Opening



- | | |
|--------------------|-------------------|
| Pulsar® III | Pulsar® VI |
| A - 32.5" (826 mm) | 36.5" (927 mm) |
| B - 34" (864 mm) | 38" (965 mm) |
| C - 19" (483 mm) | 19.5" (495 mm) |
| D - 17.5" (445 mm) | 20.5" (521 mm) |
| E - 24" (610 mm) | 27" (686 mm) |

DUST COLLECTORS

Reverse-pulse cartridge dust collectors (which trap 99.7% of dust down to 0.5 micron) allow non-stop, high-production blasting. The polyester-cellulose cartridges are pulse cleaned each time the foot pedal is pressed and released for maximum filter efficiency. A dust collector auto-pulse kit is available as an option. Worn cartridges can be replaced in minutes.

Filtering Area

Pulsar® III 107 ft² (9,9 m²) **Pulsar® VI 195 ft²** (18,1 m²)
Dust concentration in exhausted air is nominally 5.0 mg/m³.
For especially dust sensitive work environments, order the optional HEPA filter.

Clemco is committed to continuous product improvement. Specifications are subject to change without notice. ISO 9001 certified.

GUNS/NOZZLES

SUCTION BLAST AIR REQUIREMENTS

NOZZLE	NOZZLE ORIFICE	AIR JET	CFM at 80 PSI	M ³ /Min at 5,5 BAR
No. 4	5/16"	1/8"	21	0,6
No. 5	5/16"	5/32"	32	0,9
No. 6	3/8"	3/16"	48	1,35
No. 7	7/16"	7/32"	62	1,75
No. 8	1/2"	1/4"	85	2,4

Pulsar® III and Pulsar® VI cabinets are furnished with a No. 5 gun and ceramic nozzle.

PRESSURE BLAST AIR REQUIREMENTS

NOZZLE	NOZZLE ORIFICE	CFM at 80 PSI	M ³ /Min at 5,5 BAR	CFM at 100 PSI	M ³ /Min at 7 BAR
No. 2	1/8"	17	0,5	20	0,6
No. 3	3/16"	38	1,08	45	1,3
No. 4	1/4"	68	1,93	81	2,3
No. 5	5/16"	113	3,20	137	4,0

Pulsar® VI-P cabinets are furnished with a No. 3 tungsten carbide nozzle.

Electrical

Pulsar® III: 1/2HP, 115V, 1PH, 60HZ, (.37KW, 220V, 1PH, 50HZ)

Pulsar® VI: 1HP, 115V, 1PH, 60HZ, (.75KW, 220V, 1PH, 50HZ)

Some installations may require electrical connection by a qualified electrician.

Reclaimer Flow Rates

Pulsar® III: Nominal 300 cfm

Pulsar® VI: Nominal 600 cfm

ORDERING INFORMATION

	Std	Ergo	Wt.
Suction Cabinets			
Pulsar III (300)	20185	24747	850
Pulsar III-S (600)	25157		850
Pulsar VI (600)	20190	25019	1150
Pressure Cabinets			
Pulsar III-P (300)	24746	24745	1260
Pulsar VI-P (600)	21639	24853	1550

Popular Accessories

- Adjustable Gun Mount
- Oscillator Assembly
- AloX Kit
- Pass-through doors
- Air-powered Vertical Lift Door
- Steel Grit/Shot Media Kit
- Dust Collector Auto-pulse Kit
- Timed Door Release
- Curtains
- 20-, 24-, and 30-inch Turntables
- HEPA filter
- Two Gallon Tumble Basket
- Manometer Kit
- Work Car & Track Assembly

Distributed By:



Pulsar® III-P



Model Pulsar® III-P

The ZERO Pulsar® III-P is a high-production, blast cabinet designed specifically to enhance productivity and efficiency by offering a safe work station for production blast operators.

Pulsar® III-P Pressure Cabinet Features:

Safety

- Door interlock system interrupts blasting when either door is opened
- Optional time-delay locking system keeps doors locked after blasting stops
- Double-wall, insulated doors, reduce exterior noise
- Industrial-quality lift-off hinges allow easy door removal
- Full-opening doors maximize work chamber capacity and eases loading large parts
- Full-length, neoprene-on-fabric gloves protect operator
- Ceiling light fixture maximizes window view area and offers commanding view of interior

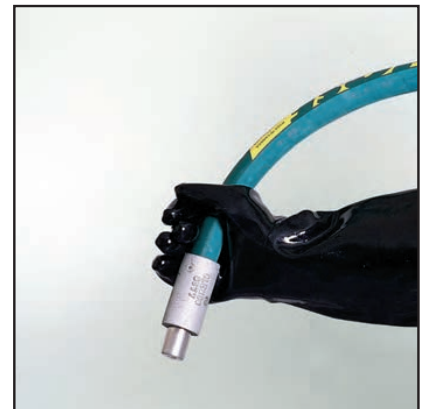
Productivity

- Unique air logic system maximizes air and media flow for blasting
- ASME-code pressure vessel, 1.0 cu ft capacity, with 1" piping
- Industrial-quality, coupled two-braid blast hose and tungsten carbide nozzle
- Reverse-pulse cartridge dust collector evacuates spent media and ensures optimal visibility for blasting; traps 99.7% of dust down to 0.5 micron
- Adjustable chrome latches seal doors tight through years of service

Convenience

- Tilt-window allows tool-free glass changes in minutes
- Easy-to-reach pressure regulator, gauge, and electric switch
- Built-in air gun conveniently located inside allows part blow-off inside cabinet

**Clean
Peen
Deburr
Finish
Prep Surfaces**



Tungsten Carbide Blast Nozzle

The system comes with a 3/16" orifice, tungsten carbide pressure blast nozzle, which consumes 38 cfm of compressed air when blasting at 80 psi. The nozzle's long-wearing properties ensure hundreds of hours of service with glass bead media.

Popular Accessories

- Air-powered Vertical Lift Doors
- Alox Kit for Use with Harsh Media
- Dust Collector Auto-pulse Kit
- HEPA Filter
- Pass-through Doors
- Rubber Wall Curtains
- Steel Media Kit
- Time-delay Door Locks
- Turntable & Track Assembly

Common Applications

- Cleaning parts
- Deburring machined parts
- Stripping paint
- Improving surface finish
- Removing carbon build up
- Removing heat scale
- Applications too numerous to list

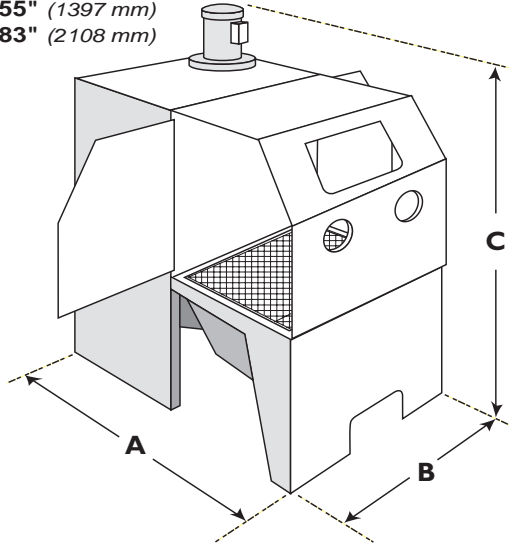
S P E C I F I C A T I O N S

COMPLETE SYSTEM

Actual space requirements depend on desired work flow. Allow additional work space for operator and maintenance.

Pulsar® III-P

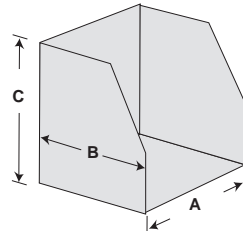
- A. 81" (2057 mm)
- B. 55" (1397 mm)
- C. 83" (2108 mm)



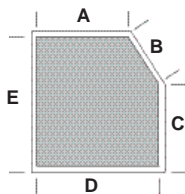
CABINET

Working Chamber Size

- A. 36" wide (914 mm)
- B. 35" deep (889 mm)
- C. 37" high (940 mm)



Door Opening



- A. 24" (610 mm)
- B. 17.5" (445 mm)
- C. 19" (483 mm)
- D. 32.5" (826 mm)
- E. 34" (9837 mm)

Electrical

1HP, 115V, 1PH, 60HZ,
(.75KW, 220V, 1PH, 50HZ)
Some installations may require
electrical connection
by a qualified electrician.

Window Size (safety glass)

19.5" wide (495mm)
12.5" high (318 mm)

Model Pulsar® III-P System Description

Heavy-duty 14-gauge cabinet shell, all-welded construction; 12.5" x 19.5" safety-glass view window; fluorescent lighting with dual 20-watt tubes; heavy-duty industrial-quality adjustable chrome latches; unique air-logic system to maximize efficient use of compressed air, provides optimal media reclamation and dust collection; cabinet-mounted reverse-pulse dust collector with 1 HP motor and 195 square feet of filter area; compressed-air filter; pressure regulator; easily removable dust drum for material disposal; 1.0 cu ft capacity ASME-code pressure vessel.

PRESSURE BLAST AIR REQUIREMENTS

NOZZLE	NOZZLE ORIFICE	CFM at 80 PSI	M ³ /Min at 5,5 BAR	CFM at 100 PSI	M ³ /Min at 7 BAR
No. 2	1/8"	17	0,5	20	0,6
No. 3	3/16"	38	1,08	45	1,3
No. 4	1/4"	68	1,93	81	2,3
No. 5	5/16"	113	3,20	137	4,0

Reclaimer Flow Rate

Pulsar® III-P: Nominal 600 cfm

DUST COLLECTOR

Reverse-pulse cartridge dust collector (which traps 99.7% of dust down to 0.5 micron) allows non-stop, high-production blasting. The polyester-cellulose cartridge is cleaned for maximum filter efficiency every time the foot pedal is pressed and released. A dust collector auto-pulse kit is available as an option. Worn cartridge can be replaced in minutes.

Filtering Area

Pulsar® III-P 195 ft² (18,1m²) Dust concentration in exhausted air is nominally 5.0 mg/m³.

For especially dust-sensitive work environments, order the optional HEPA filter.

ORDERING INFORMATION

Model	Stock No.	Shipping Weight	
		lb	kg
Pulsar® III-P	24746	1260	(573)

Distributed By:

Clemco is committed to continuous product improvement. Specifications are subject to change without notice.
ISO 9001:2008 certified.

© 2013 Clemco Industries Corp. • One Cable Car Drive • Washington, MO 63090 • (636) 239-0300 • FAX (800) 726-7559
Stock No.: 25989 info@www.clemcoindustries.com • www.clemcoindustries.com 0812 Rev. A 05/13

Pulsar® VI-P Pressure Cabinet

- *1-cu-ft blast machine (with automatic refill from reclaimer) holds enough media to blast continuously for up to 30 minutes.*
- *ASME-code blast machine rated for 125 psi with large hand hole for internal maintenance and 35-degree conical bottom for smooth media flow.*
- *Standard Number 3 tungsten carbide nozzle delivers hundreds of hours of efficient blasting with most abrasives. Pulsar® VI-P accepts nozzles up to Number 5.*
- *Efficient 1-inch air filter delivers high-volume air and traps oil and water that can ruin blast media and contaminate cleaned parts.*
- *Pulsar VI-P features flanged mounting on reclaimer to accept suction or pressure blast system.*

Fast Cleaning

The Pulsar® VI-P incorporates a 1 cubic foot capacity blast machine in place of the suction blast system found on the Pulsar® VI.

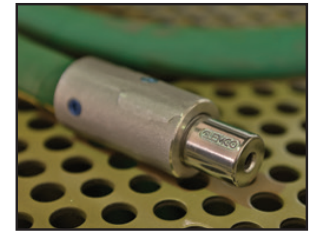
Pressure blasting cleans at rates three to four times faster than suction blasting and results in a better profile for bonding coatings or for stress relief on metals.

Convertible

Pulsar® cabinets are built with flexibility in mind. When your production needs change, your Pulsar® VI-P can be converted from pressure blast to suction blast.



Pulsar® VI-P



Tungsten Carbide Nozzle

A Number 3 tungsten carbide blast nozzle comes standard on the Pulsar® VI-P.

An optional boron carbide nozzle handles super-aggressive abrasives.



Flange-mounted blast machine on Pulsar® VIP

S P E C I F I C A T I O N S

COMPLETE SYSTEM

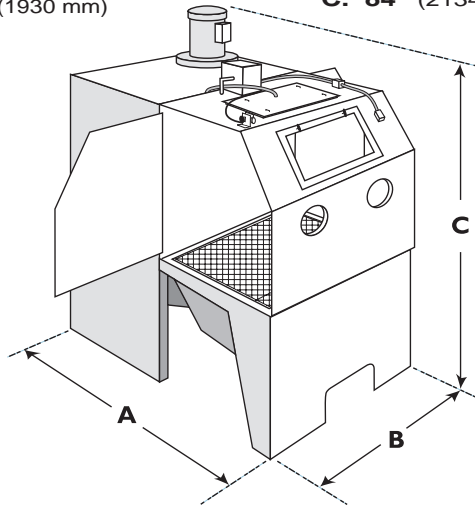
Actual space requirements depend on desired work flow. Allow additional work space for operator and maintenance.

Pulsar® III

- A. 62" (1575 mm)
- B. 38" (965 mm)
- C. 76" (1930 mm)

Pulsar® VI

- A. 71" (1803 mm)
- B. 52" (1321 mm)
- C. 84" (2134 mm)



CABINET

Working Chamber Size

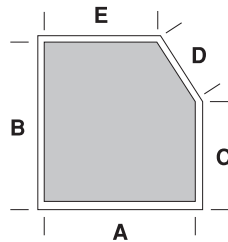
- Pulsar® III** 36" wide (914 mm)
35" deep (889 mm)
37" high (940 mm)

- Pulsar® VI** 50" wide (1270 mm)
39" deep (991 mm)
43" high (1092 mm)

Window Size (safety glass)

- 19.5" wide (495 mm)
12.5" high (318 mm)

Door Opening



- | | |
|--------------------|-------------------|
| Pulsar® III | Pulsar® VI |
| A - 32.5" (826 mm) | 36.5" (927 mm) |
| B - 34" (864 mm) | 38" (965 mm) |
| C - 19" (483 mm) | 19.5" (495 mm) |
| D - 17.5" (445 mm) | 20.5" (521 mm) |
| E - 24" (610 mm) | 27" (686 mm) |

DUST COLLECTORS

Reverse-pulse cartridge dust collectors (which trap 99.7% of dust down to 0.5 micron) allow non-stop, high-production blasting. The polyester-cellulose cartridges are pulse cleaned each time the foot pedal is pressed and released for maximum filter efficiency. A dust collector auto-pulse kit is available as an option. Worn cartridges can be replaced in minutes.

Filtering Area

- Pulsar® III 107 ft²** (9,9 m²) **Pulsar® VI 195 ft²** (18,1 m²)

Dust concentration in exhausted air is nominally 5.0 mg/m³.

For especially dust sensitive work environments, order the optional HEPA filter.

Clemco is committed to continuous product improvement. Specifications are subject to change without notice. ISO 9001 certified.

GUNS/NOZZLES

SUCTION BLAST AIR REQUIREMENTS

NOZZLE	NOZZLE ORIFICE	AIR JET	CFM at 80 PSI	M ³ /Min at 5,5 BAR
No. 4	5/16"	1/8"	21	0,6
No. 5	5/16"	5/32"	32	0,9
No. 6	3/8"	3/16"	48	1,35
No. 7	7/16"	7/32"	62	1,75
No. 8	1/2"	1/4"	85	2,4

Pulsar® III and Pulsar® VI cabinets are furnished with a No. 5 gun and ceramic nozzle.

PRESSURE BLAST AIR REQUIREMENTS

NOZZLE	NOZZLE ORIFICE	CFM at 80 PSI	M ³ /Min at 5,5 BAR	CFM at 100 PSI	M ³ /Min at 7 BAR
No. 2	1/8"	17	0,5	20	0,6
No. 3	3/16"	38	1,08	45	1,3
No. 4	1/4"	68	1,93	81	2,3
No. 5	5/16"	113	3,20	137	4,0

Pulsar® VI-P cabinets are furnished with a No. 3 tungsten carbide nozzle.

Electrical

Pulsar® III: 1/2HP, 115V, 1PH, 60HZ, (.37KW, 220V, 1PH, 50HZ)

Pulsar® VI: 1HP, 115V, 1PH, 60HZ, (.75KW, 220V, 1PH, 50HZ)

Some installations may require electrical connection by a qualified electrician.

Reclaimer Flow Rates

Pulsar® III: Nominal 300 cfm

Pulsar® VI: Nominal 600 cfm

ORDERING INFORMATION

	Std	Ergo	Wt.
Suction Cabinets			
Pulsar III (300)	20185	24747	850
Pulsar III-S (600)	25157		850
Pulsar VI (600)	20190	25019	1150
Pressure Cabinets			
Pulsar III-P (300)	24746	24745	1260
Pulsar VI-P (600)	21639	24853	1550

Popular Accessories

- Adjustable Gun Mount
- Oscillator Assembly
- AloX Kit
- Pass-through doors
- Air-powered Vertical Lift Door
- Steel Grit/Shot Media Kit
- Dust Collector Auto-pulse Kit
- Timed Door Release
- Curtains
- 20-, 24-, and 30-inch Turntables
- HEPA filter
- Two Gallon Tumble Basket
- Manometer Kit
- Work Car & Track Assembly

Distributed By: